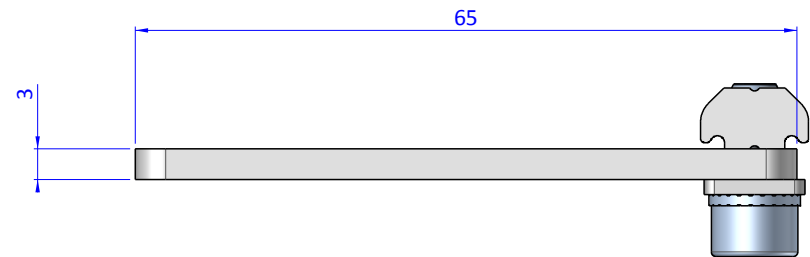
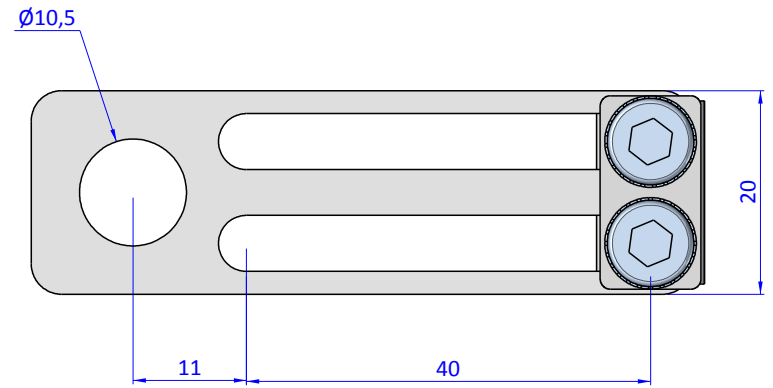
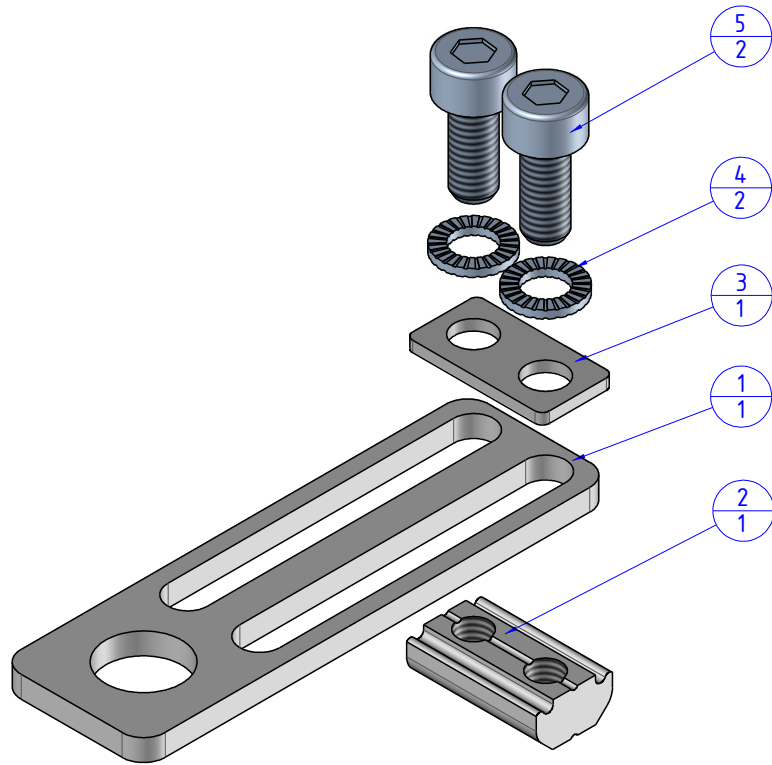


THE PROPERTY OF THE DRAWING IS ESTABLISHED BY LAW. IT IS FORBIDDEN TO PRODUCE OR SHOW IT TO THIRD PARTY WITHOUT A WRITTEN AGREEMENT.

Item	Name	Qty.
1	CA.04.20.10	1
2	CA.GWP.5.10	1
3	R.05.10	1
4	R.5.SCH	2
5	VTCE5x12	2



Format A3

UNI 936-76

		DESIGNED FROM		REVIEW
		FPSERVICES		A
GENERAL TOLERANCE		DATE	WEIGHT	
UNI - ISO 2768		30/04/2016	0,034kg	
CLASSE 1		CODE		
		CA.04.20.10.X		CA.04.20.10.X